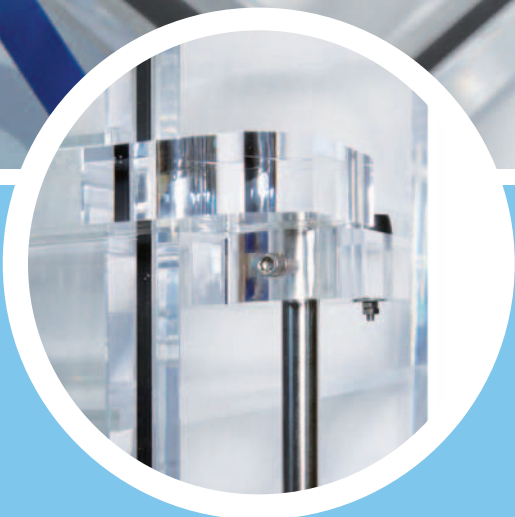
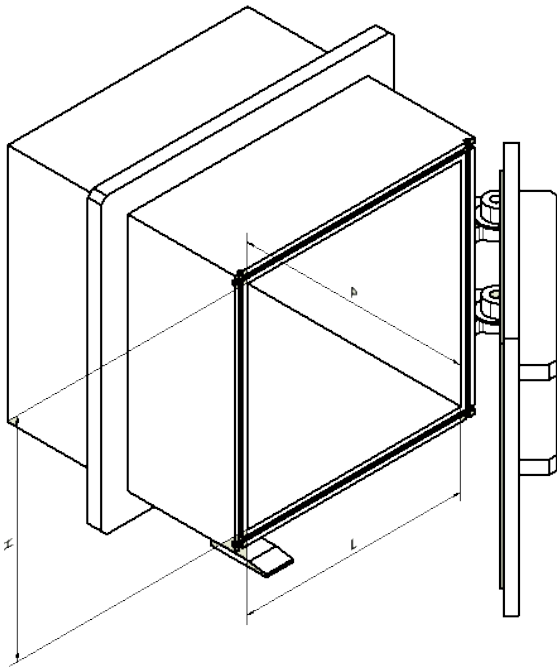


## MULTI-OPENING PLEXIGLASS BOX



**SOLID DESIGN  
IN TRANSPARENT PLEXIGLASS  
WHEN OPENING THE COVER  
OR DOOR ...**



## DOOR BOX

Useful dimensions (mm) Exterior dimensions (mm)	Weight kg	Thickness mm	Volume
L300XP300xH400 L350XP350xH450	25	25	36L/0,036 m3
L400xP400xH400	35	25	64L/0,064 m3
L500xP450xH500	60	30	112,5L/0,1125m3

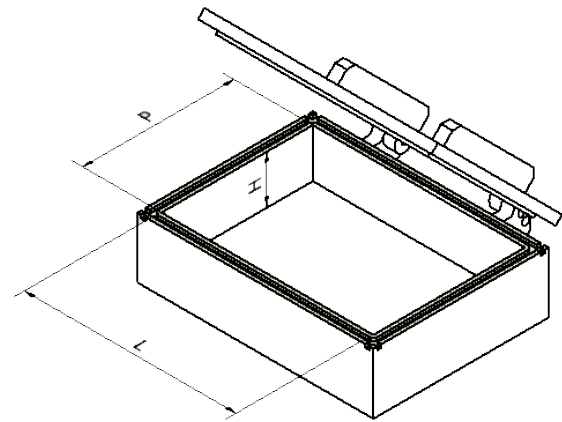
- These models are supplied with removable shelf (s) (on request)

Indicative times for emptying the box up to -0.850 bar:

$V \leq 34L \rightarrow 2.42 \text{ s/L}$

$V > 34L \rightarrow 0.85 \text{ s/L}$

We therefore carry out specifics, so for all other box dimensions, contact us at: [commercial@acrn.fr](mailto:commercial@acrn.fr)



## BOX WITH LID

Useful dimensions (mm) Exterior dimensions (mm)	Weight kg	Thickness mm	Volume
L250xD200xH150 L290xD240xH190	7	20	7,5L/0,007 m3
L350xD250xH80 L390xD290xH120	8	20	7L/0,007 m3
L350xD250xH150 L390xD290x190	9	20	13,1L/0,0131 m3
L350xD250xH250 L390xD290xH290	13	20	21,9L/0,0219 m3
L450xD350xH100 L500xD400xH150	9,5	25	15,75L/0,016 m3
L450xD350xH150 L500xD400xH200	14,25	25	23,625L/0,023 m3
L450xD350xH200 L500xD400xH250	19	25	31,5L/0,032 m3
L450xD350xH300 L500xD400xH350	28,5	25	47,25L/0,048 m3
L500xD400xH100 L550xD450xH150	12	25	20L/0,02 m3
L500xD400xH200 L550xD450xH250	17,5	25	40L/0,04 m3
L500xD400xH300 L550xD400xH350	22	25	60L/0,06 m3

